

# ***TherAdapt® Products Inc.***

(800) 261-4919 phone (866) 892-2478 fax

[www.theradapt.com](http://www.theradapt.com)

## **Transition Chair- Early Childhood**

### **Please read all of the following information before using this product.**

*TherAdapt® Products Inc. has designed and manufactured this product with the well being of the user and caregiver(s) in mind. It is our endeavor to provide products which are attractive, comfortable, useful, highly adjustable, long lasting and safe. As when using any product, precautions must be taken.*



**WARNING:** This product must only be used under the recommendation of a physician and / or licensed therapist and with adult supervision. Never leave user unattended. It is your responsibility to properly use and maintain your Transition Chair. Failure to follow USE and CARE instructions or ASSEMBLE the chair properly as outlined may result in bodily injury.

THE MANUFACTURER IS NOT RESPONSIBLE FOR INJURIES RESULTING FROM ANY CUSTOMIZATION OR MODIFICATION OF THE EQUIPMENT THAT WAS NOT COMPLETED BY THE MANUFACTURER.

**USE:** The Transition Chair is designed for a single purpose: as a freestanding floor chair. **No other use is permitted**, including, but not limited to a seat used for transportation in an automobile, stroller, or any other mobility device.

**CARE:** Take care to inspect the ongoing condition of all parts of your Transition Chair. Verify that all knobs, bolts, and washers are properly positioned and secure. Contact the manufacturer for replacement or repair of necessary items. All components may be cleaned with mild soap and water, or a gentle sanitizing spray. **Do not** use abrasive cleaners. Wipe components dry after cleaning. Always store indoors.

**WARRANTY:** The manufacturer provides a full one (1) year warranty, beginning the date shipped by the manufacturer. The warranty provides full replacement of all parts against breakage when used in compliance with the manufacturer's USE and CARE instructions. Use or modification beyond the normal capacity or range of adaptability designed into the products will void the warranty. The foregoing is TherAdapt's sole liability for consequential damages.

### **PLEASE COMPLETE AND RETAIN FOR YOUR RECORDS**

**Transition Chair TC-150**

**Serial Number:** \_\_\_\_\_

**Purchase date:** \_\_\_\_\_

## ***TherAdapt*** Transition Chair (TC-150) Instructions

### **Packing List:**

- (2) Sides
- (1) Seat (2 black brackets & 1" lap belt attached)
- (1) Back (2 black brackets attached)
- (1) Calf-rest with hinged extension
- (1) Footrest
- (3) Black metal chair supports  
(support for center of chair w/hinged wood piece)

### **Tools needed:**

- #3 Phillips head screwdriver
- 7/16" wrench
- ½" wrench

### **Hardware Package:**

- (10) ¼ x 1" Phillips head bolts
- (1) 5/16 x 1" Phillips head bolt
- (10) ¼" metal washers
- (11) 1" white nylon washers
- (1) 5/16" metal washer
- (10) ¼" locknuts
- (1) 5/16" locknut
- (1) Knob with 5/16 x 1" stud
- (8) Knob with 5/16" thread insert
- (2) Knobs with 5/16 x 1 ½" stud
- (8) 5/16 x 1" carriage bolts

### **1. Attach metal chair supports to sides (See Figure 1):**

**Note:** Find the clear TherAdapt® sticker (with the website address) – this must be to the **outside** of the chair. Find the silver serial number sticker – this needs to be to the **inside** of the chair. Alternately, the flanged (wide) part of the T-nuts must be to the **inside** of the chair (on both sides). Also, 1 of the black metal chair supports has a piece of wood hinged to it. This support is to be used in the middle of the chair. Notice that at the end of each support are fins with two holes drilled. Position the front support with the fins facing the rear of the chair. Position the back support with the fins facing the front of the chair. Position the middle support with the fins facing the front of the chair and with the attached wood piece position at the top of the support with the hinge facing the back of the chair.

Attach the 3 supports to one side of the chair as follows.

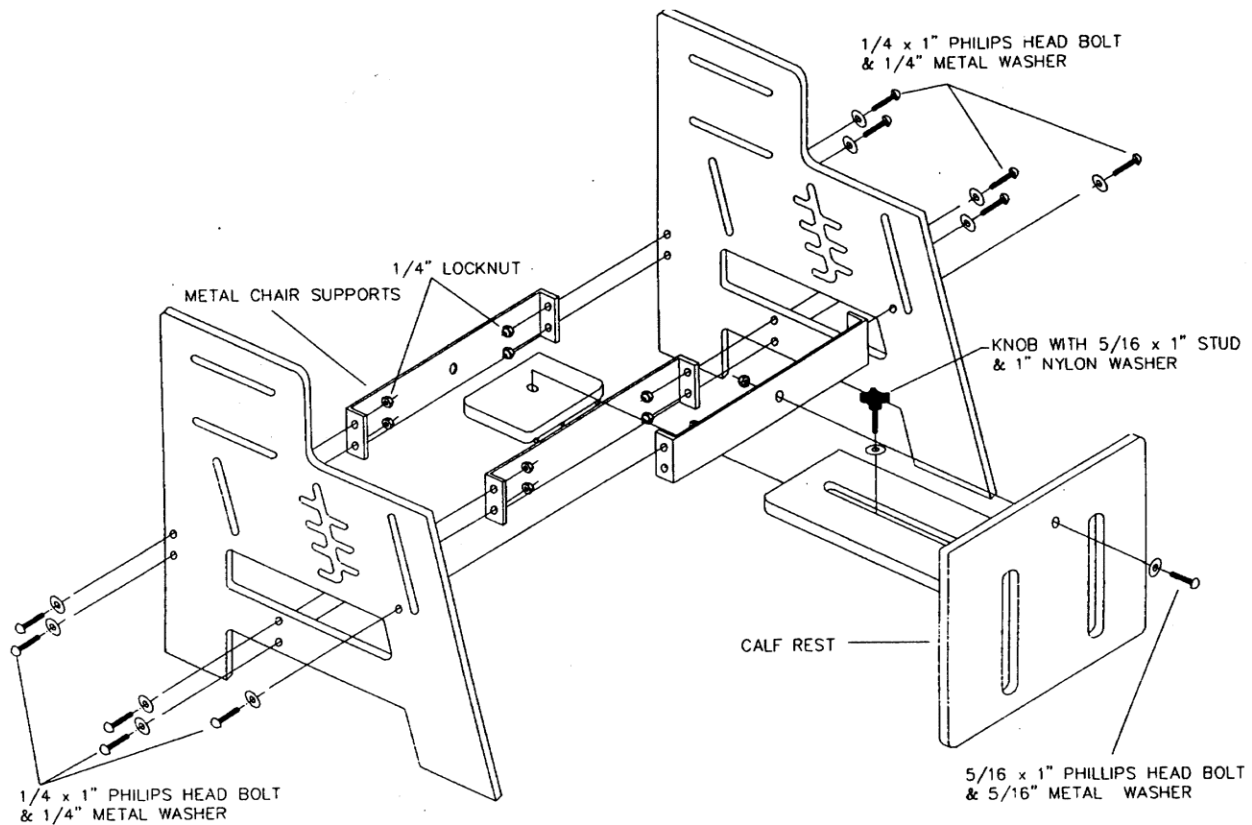
Slide a ¼" metal washer onto each of the 1" Phillips head bolts. Push the 1" Phillips head bolt with washer into the 5 pre-drilled holes into one side of the chair.

As directed in the note above, place the fins of each support over the protruding 1" bolts (**Note:** fins of the front support should be positioned with the **TOP** hole over the bolt – see diagram). Attach and hand-tighten the ¼" locknuts. With a Phillips head screwdriver and a 7/16" wrench tighten the five locknuts.

Position the 2<sup>nd</sup> side of the chair to mirror the 1<sup>st</sup> side. Align the holes in the side with the supports, and push through the 5 remaining 1" bolts with ¼" metal washers. Attach and hand-tighten the five remaining ¼" locknuts. **Securely tighten** the locknuts of the middle and rear support with the screwdriver and wrench. Do not over-tighten the locknuts on the front support, as this bracket will need to pivot for the calf-rest assembly.

FOR PROFESSIONAL ASSISTANCE CALL 1-800-261-4919

**Figure 1.**



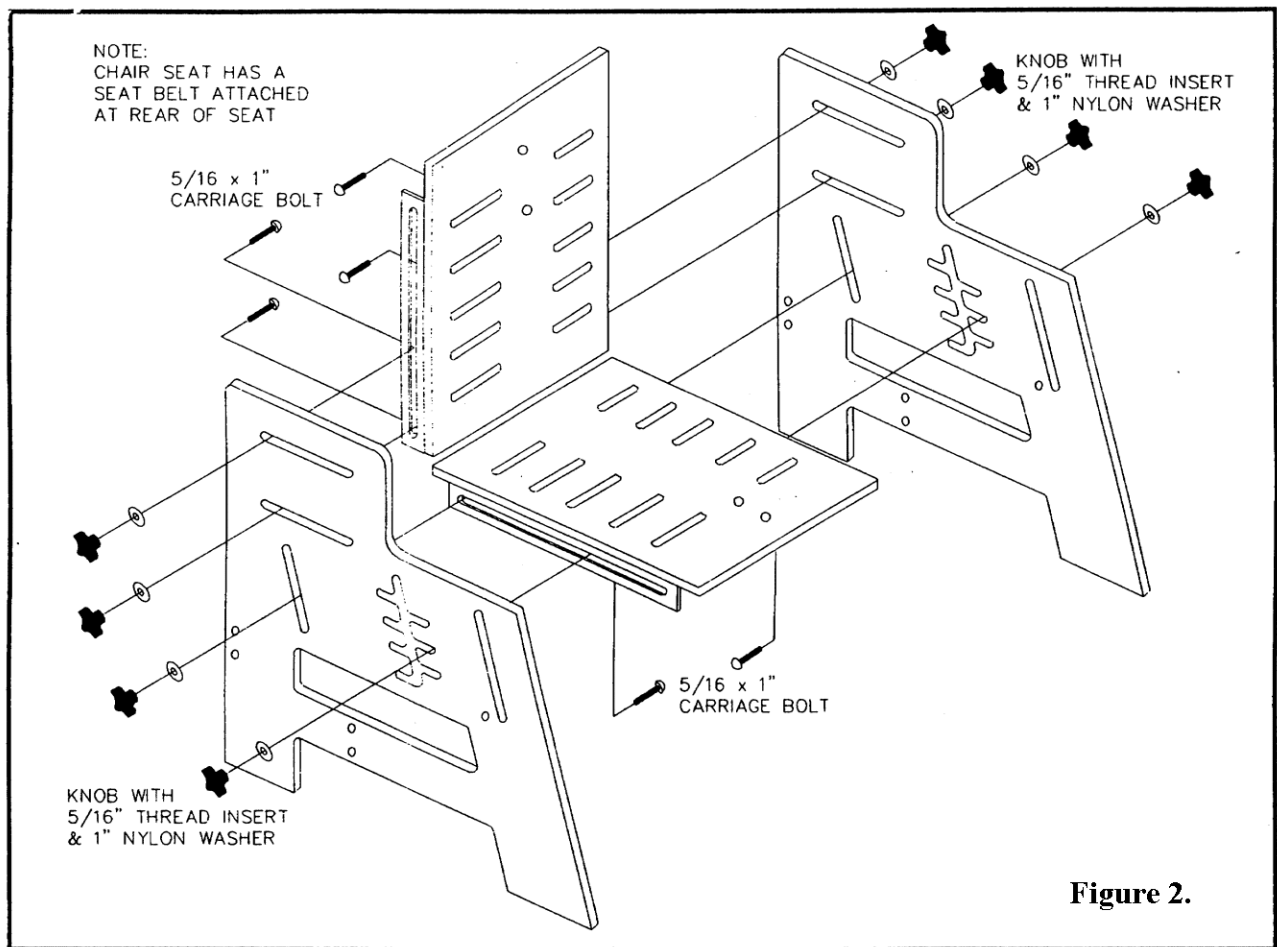
**2. Attach calf-rest to chair (See Figure 1):**

Place a 5/16" metal washer over the 5/16 x 1" Phillips head bolt. With the center hole of the calf-rest facing upward, push the 1" bolt through the center hole of the calf board and align it with the hole of the black metal chair support at the front of the chair. **Note:** the board hinged to the calf should be facing the rear of the chair and placed above the middle bracket. Place a 5/16" locknut over the bolt and tighten the bolt, attaching calf-rest to metal support.

Place a 1" nylon washer over the 1" knob and insert the stud of the knob down through the slot of the wooden slide board (which is hinged to the back of the calf-rest). Next insert the stud of the knob into the hole located in the wood piece, which is hinged to the middle metal chair support. **Tighten the knob securely** to the T-nut located on the underside of the wood piece. Loosening the knob allows angle adjustment of the calf-rest assembly.

**3. Attach seat to sides (See Figure 2 below):**

Position the seat (with seat belt assembly attached) in between the two sides of the chair. Make sure the seat belt assembly is at the rear of the chair, and rests on top of the seat. Align the black brackets with the middle (jagged) and rear slots on one side of the chair. **Important note:** do not align the seat brackets with the slot at the front of the chair. Under the seat push a 5/16" carriage bolt through the seat bracket and through the rear slot at the side of the chair. While holding the carriage bolt in place, attach a 1" white nylon washer and 5/16" threaded knob over the protruding carriage bolt on the outside of the chair. Leave the knob loose, only to hold the seat in place. On the same side, attach a carriage bolt through the seat bracket and middle (jagged) side slot. Apply a nylon washer and knob, leaving it loose. Repeat this process for attaching the seat to the other side. Once all four knobs are in place, **tighten them securely.**



#### 4. Attach back to sides (See Figure 2):

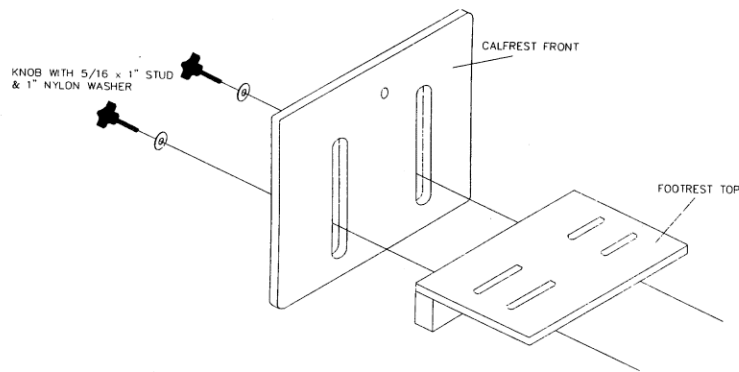
Position the back in between the two sides of the chair. Make sure the black back brackets face the rear of the chair, and are positioned down toward the seat (flush with the bottom of the back). Align the black brackets with the upper horizontal slots on each side of the chair. At the rear of the back push a 5/16" carriage bolt through the back bracket and through the top slot of one side of the chair. While holding the carriage bolt in place, attach a 1" white nylon washer and a 5/16" threaded knob over the protruding carriage bolt on the outside of the chair. Leave the knob loose, only to hold the back in place. On the same side, attach a carriage bolt through the back bracket and lower side slot. Apply a nylon washer and knob, leaving it loose. Repeat this process for attaching the back to the other side. Once all four knobs are in place, **tighten them securely.**

#### 5. Attach footrest to calf-rest (See Figure 3 below):

Place a 1" white nylon washer over both 1 1/2" knobs. From the back of the calf-rest insert one 1 1/2" knob through the left slot on the calf rest. With the wooden support of the footrest facing downward, align the left T-nut with the knob protruding through the calf-rest. Tighten the knob only to be held in place. Push the other 1 1/2" knob through the right slot of the calf-rest and tighten into the right T-nut of the footrest. **Tighten both knobs securely.**

**FOR PROFESSIONAL ASSISTANCE CALL 1-800-261-4919**

**Figure 3.**



*Once the chair is assembled it should be adjusted to fit the user properly.*

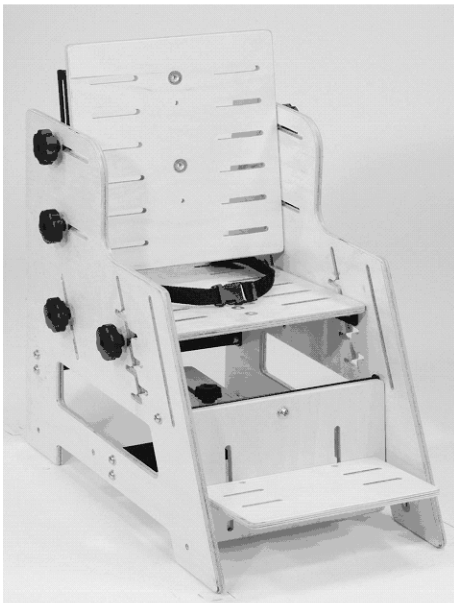
**1. Adjust the seat height and angle.**

- A. To adjust the seat height, loosen the (4) large knobs that secure the seat to the side. Raise or lower the seat so that the end of the thigh is resting securely on the front edge of the seat.
- B. To position the pelvis, the seat can be angled by moving the front of the seat in the front “toothed” slots on the side frame or the rear of the seat in the rear slot. Once the desired depth and angle are achieved, **tighten all knobs securely.**

**2. Adjust the seat depth and back angle.**

**Note:** The back support can be secured in a number of positions on the side of the chair. If a short seat depth is required, position the back support toward the front of the chair. If a longer seat depth is needed, place the bolts toward the rear of the chair. The seat should be 1 ½ “ – 2” behind the bend of the knee with the user sitting on the seat, bending forward to get the hips to the back of the chair.

To adjust the **back angle**, move the top of the back support back from vertical until the desired angle is achieved. **Tighten the knobs securely.**



**3. Adjust the pelvic positioning belt.**

The 1” adjustable pelvic belt with side release buckle should be positioned in the notch created by the bend of the lap between the thigh and the pelvis, and tightened snugly. **Note:** The double slotted rings on each side of the pelvic strap have the loose ends of the strap threaded back through. This prevents the strap from slipping, makes the belt completely adjustable and allows the belt to snap closed at any location.

**4. Adjust the footrest height and angle.**

- a. To adjust the footrest height, loosen the (2) knobs that secure the footrest to the calf-rest. Raise or lower the footrest so that the end of the thigh is resting securely on the front edge of the seat. **Tighten knobs securely.**
- b. To adjust the footrest angle, loosen the knob on the wooden slide board that attaches to the back of the calf-rest. Slide the board forward or backward to change the calf-rest/footrest angle and **tighten knob securely.**

**Attach chair Options purchased and follow instructions.**

**Note:** Placement of options may affect previous adjustments. Re-assess steps 1 – 4 for a proper fit.

**FOR PROFESSIONAL ASSISTANCE CALL 1-800-261-4919**

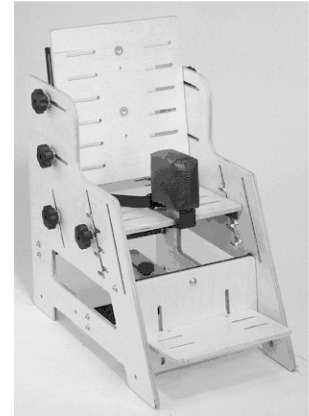
# ***TherAdapt*® Transition Chair – Early Childhood - Options - Instructions**

## **1. Attach the Abduction Pommel. (TC-150AB)**

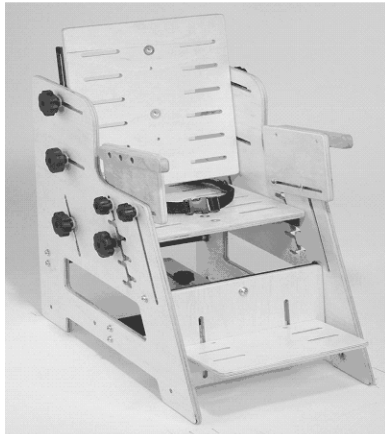
### **Packing List:**

- (1)** Padded Pommel with metal “L” bracket
- (2)** Knobs with ¼ - 20 threaded bolts

Place the Pommel on the padded seat pad with the metal bracket underneath the seat. Secure with **(2)** knobs with bolts into the **(2)** pre-installed ¼ - 20 threaded T-nuts on the seat.



## **2. Attach the Armrests (TC-150AR)**



### **Packing List:**

- (2)** Armrests
- (4)** 1/4 – 20 x 1 3/4” carriage bolts
- (4)** Nylon washers
- (4)** Thru-knobs with 1/4-20 threaded inserts

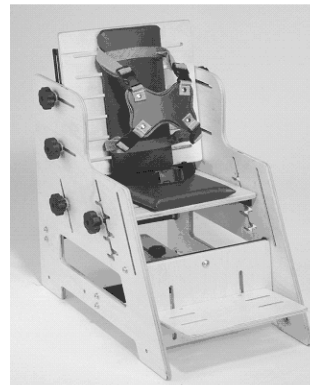
Note: There is a right and a left Armrest. They are placed on the **inside** of the chair sides with the top of the Armrest towards the outside of the chair.

A. Insert **(2)** carriage bolts through the lower slot on the armrest slots on the side of the chair from the **inside**. Attach the Armrest to the **inside** of the chair with the bolts through the front angled slot on the chair side and the middle “toothed” slot on the chair side. Place a nylon washer over the bolt and secure with **(2)** knobs. Repeat for other Armrest.

B. Adjust to desired height and depth. **Tighten all knobs securely before using.**

## **3. Adjust the Butterfly Harness. (TC-150BK)**

The Butterfly comes attached to the chair with straps secured around the back pad. It should be adjusted such that the top of the strap is level with the shoulders. To do this: loosen (or remove) the back pad from the back of the chair by loosening (or removing) the **(2)** Phillips head screws on the backside of the chair. Slide the straps to the desired location on the pad and tighten (or replace) the Phillips head screws.



Note: The Butterfly Harness should be positioned on the chair so that the top of the Butterfly straps are even with the shoulders and the buckle is below the collarbone. Adjust the length of the top straps to position the chest piece at the desired location on the chest (see below). Provide a “snug” fit by pulling on the lower set of straps only.

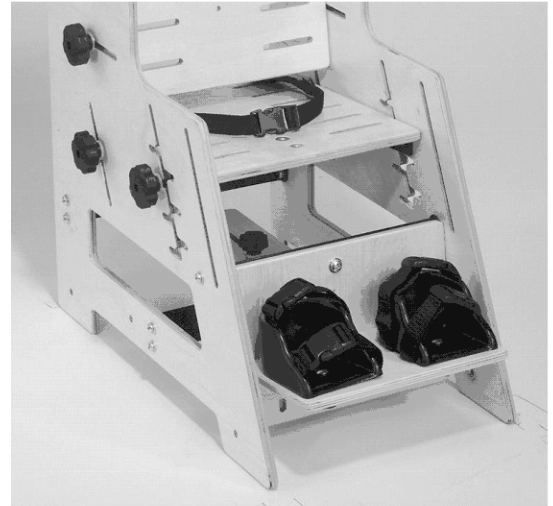
***Care should be taken not to position the harness higher than the notch felt at the top of the sternum (breast bone) as strangulation could occur.***

#### 4. Attach the Foot Sandals. (TC-150FS)

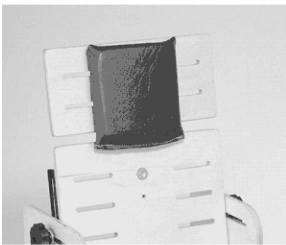
##### Packing List:

- (2) Foot sandals
- (4) Foot straps with (1) side release buckle each
- (4) ¼ -20 x 1” carriage bolts
- (4) Thru-knobs with ¼ -20 threaded inserts
- (4) Nylon washers

- A. Attach the foot straps such that the longer strap is placed in the slots toward the heel of the Foot Sandal and the shorter strap is toward the toe of the Foot Sandal. Thread the end of the strap without the buckle through the top, underneath the Sandal, and back up through the other side.
- B. Attach the Foot Sandals to the footplate with (2) 1” carriage bolts and knobs with threaded inserts. Place a nylon washer between the footplate and the knob. **Tighten all knobs securely.**



#### 5. Attach the Headrest. (TC-150HR)

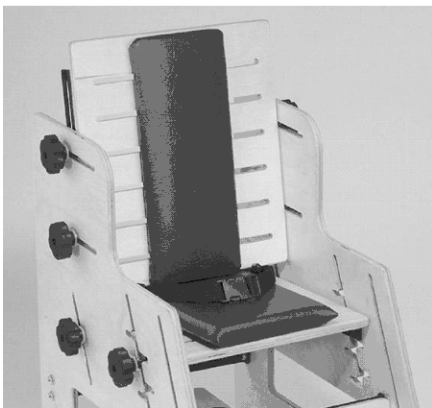


##### Packing list:

- (1) “T” shaped Headrest
- (1) Head pad with Velcro®
- (2) Knobs with 5/16 - 18 threaded stem bolts

Secure the pad to the Headrest. Remove the (1) self-adhering strip of Velcro® from the pad. Adhere the Velcro® to the top front of the Headrest. Position the pad on the Headrest and secure. Using the (2) 5/16 stem knobs and (2) nylon washers (found in a baggie shrink wrapped to the Headrest), pass them through the long slot in the Headrest, then through the existing T-nuts in the back of the chair and secure.

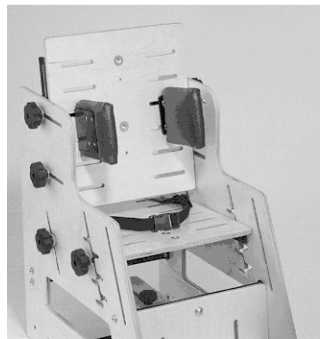
#### 6. Secure the Seat Pad. (TC-150PS or TC-150PSW)



##### Note: The Back Pad has already been attached.

The padded Seat Pad attaches to the seat with Velcro® fastener. Remove the (1) self-adhering strip of Velcro® from the pad. Adhere the Velcro® to the top of the seat. Position the pad on the seat and secure the Velcro®.

## 7. Attach the Support Blocks. (TC-150SB)



### Packing List:

- (2) Support Blocks with metal plates and ¼-20 bolts
- (4) Nylon washers
- (4) Thru knobs with ¼ - 20 inserts

Attach in desired set of paired slots on the back and / or seat. Place nylon washers on the bolts and secure with knobs. **Tighten securely before use.**

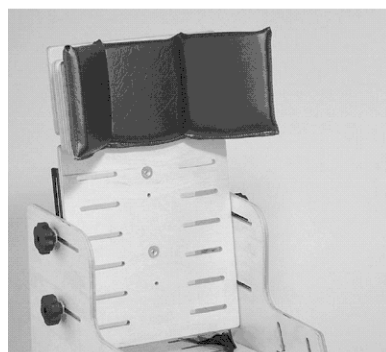
## 8. Attach the Head Support Wedges. (TC-150SW)

### Packing list:

- (4) Wedge shaped blocks
- (2) Pads with Velcro®
- (2) Knobs with ¼ - 20 threaded bolts
- (2) Nylon washers

A. Secure the pads to the Wedges. Remove the (1) self-adhering strip of Velcro® from each pad. Adhere the Velcro® to the front of the Wedges and secure the Velcro® together.

B. Attach the Wedges to the front of the headrest. Place the knobs with bolts through the desired slot on the backside of the headrest. Secure in the pre-installed T-nuts on the Head Support Wedge. Place a washer between the knob and the wood. **Tighten securely.**



## 9. Attach the Tray. (TC-150T or TC-150TC)

Pull the quick release spring lock pins. Slide the Tray onto the armrests and release the spring lock pins into one of the three sets of holes on the armrest.



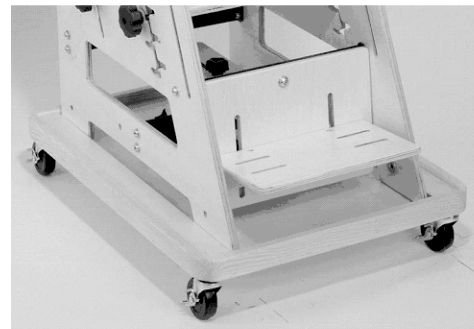
## 10. Attach the Mobile Base (TC-150MB)

### Packing List:

- (1) Wood platform with raised rim and wooden side liners
- (4) Wheels with toggle locks
- (1) Black strap attached to center of mobile base

Place chair on Mobile Base so that sides of chair sit between wooden side liners on Mobile Base. Secure chair to Mobile Base by wrapping black strap around the center metal bracket on the bottom of the chair.

The Transition Chair Mobile Base is designed for a single purpose: as an equipment transport device. When used in this manner it must remain in a locked position except during the brief time it is being used to transport a designated chair from point A to point B. **No other use is permitted.**



**FOR PROFESSIONAL ASSISTANCE CALL 1-800-261-4919**