

SNUG SEAT® 



GECKO



gecko™

Gecko

The Gecko's innovative technology provides vertical alignment and upright support for developmentally delayed children. With stylish new looks and easy adjustments, the Gecko will be your first choice in standing solutions. Safe support while standing increases both physical and mental well-being because it increases wakefulness, improves head control, facilitates postural drainage, advances bladder and bowel functions, and improves or maintains bone density. Standing also improves tone and spasticity and strengthens muscles.

The Gecko is available in two sizes. The size one is normally suitable for children up to five years old and the size two is for children up to 11 years old. See the measurement chart to determine the proper height for your child.



Size 1



Size 2

Gecko	size 1	700-1000
Gecko	size 2	700-2000

STABILITY

Colors



Size 1



Size 2

Multi-Adjustable Knee Supports. Individually width and depth adjustable knee cups for correct positioning of the knees relative to the pelvis. The knee supports are also height adjustable.



SNUG SEAT®

nothing compares to a smile!

Center Spar



Center Spar

Allows for quick vertical adjustments of trunk and pelvis supports. Adjusts in height to fit a wide range of children.

Flat Disc Standing Platform



Flat Disc Standing Platform

The slip resistant surface with a very small footprint makes the Gecko a great standing surface that fits nicely in a home environment. Stands low to the ground so child stands a peer level.

ACCESSORIES

Tray



700-2200/2202

Trunk Support



700-1500/2500

Swing-Away Pelvic Stabilizer



700-1100/2102

Heel Support

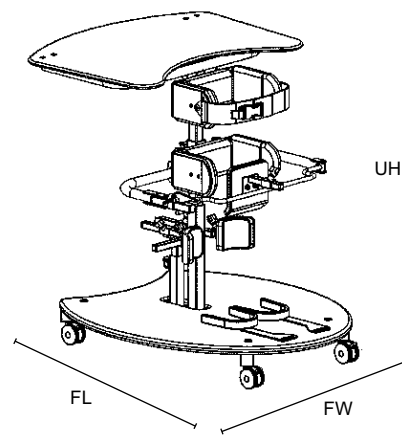


700-1461

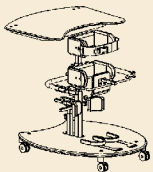


Measurements

	Gecko size 1	Gecko size 2
Frame Length (FL)	27"	33"
Frame Width (FW)	23½"	28"
Approximate User Height (UH)	22"-42"	41"-56"
Trunk Support Pad Height x Width	3½" x 6½"	3½" x 8"
Lateral Pads Depth x Height	5" x 4"	5" x 4"
Width of Lateral Pads on Trunk Pad	6" x 8½"	6" x 12"
Knee Block Height	5" to 12"	8" x 14"
Foot Positioners Width	3"	4"
Tray Dimensions Width x Length	24" x 18"	24" x 18"
Stabilizer Pad Width x Height	5" x 4"	7" x 5"
Lateral Pads on Stabilizer Pad		
-Width adjustment	6" to 8½"	8" to 12"



ORDER SHEET



Description	Size	Article no.
<input type="checkbox"/> Gecko	1	700-1000
<input type="checkbox"/> Gecko	2	700-2000
Accessories		
<input type="checkbox"/> Trunk Pad Assembly		700-1500
<input type="checkbox"/> Trunk Pad Assembly		700-2500
<input type="checkbox"/> Tray/Upright Support	1	700-2200
<input type="checkbox"/> Tray/Upright Support	2	700-2202
Spare Parts		
<input type="checkbox"/> Heel Support, Left	1	700-1461
<input type="checkbox"/> Heel Support, Left	2	700-2261
<input type="checkbox"/> Heel Support, Right	1	700-1462
<input type="checkbox"/> Heel Support, Right	2	700-1463
<input type="checkbox"/> Swing-Away Pelvic Stabilizer	1	700-1100
<input type="checkbox"/> Swing-Away Pelvic Stabilizer	2	700-2102