

# Gecko

## instruction manual



Snug Seat Inc.  
12801 E. Independence Blvd.  
Matthews, NC 28106

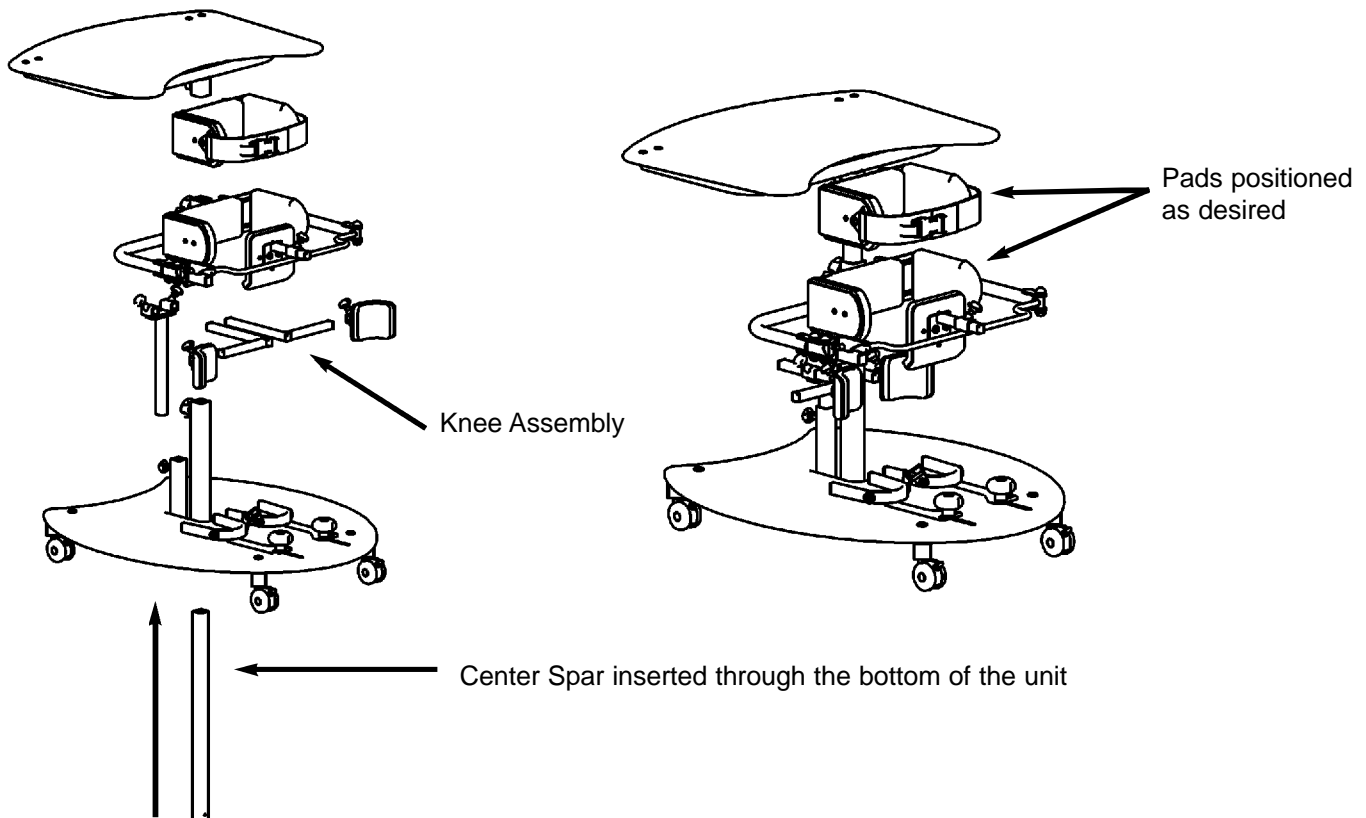
1-800-336-7684  
www.snugseat.com

### Quick Reference:

Assembly	Page 1
Tray	Page 2
Adjustments	Page 3
Hip/Sacral Pad	Page 4

## Assembly

- 1.) Insert **center spar** into the **Gecko frame** from the bottom of the unit
- 2.) **Gecko pads** can be placed onto the **center spar** and located and positioned as needed
- 3.) **Knee assembly** plugs into **forward knee height adjustment tube**



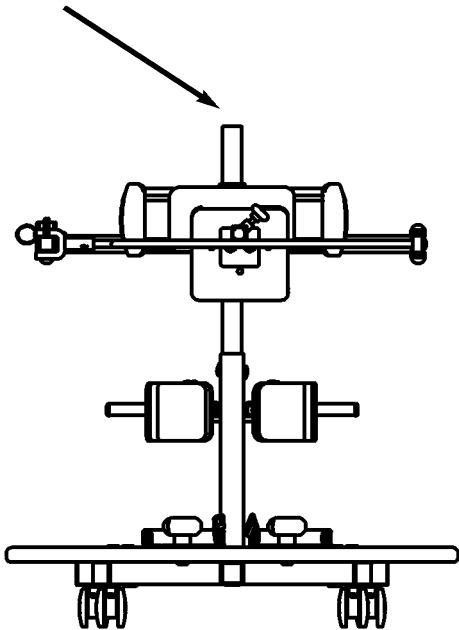
# Gecko

## Tray

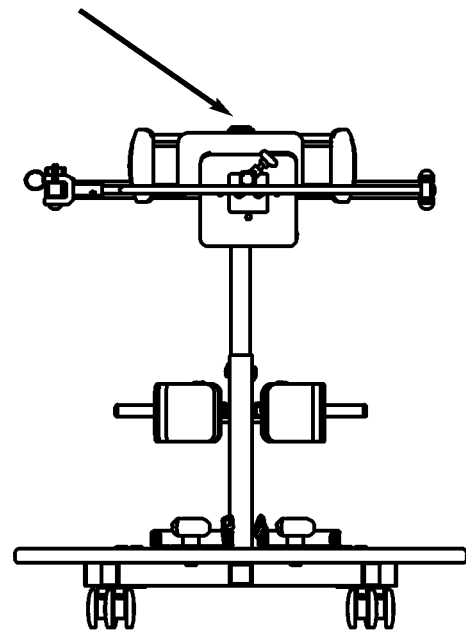
The Gecko **tray** is designed to attach to the top of the center spar

If **tray** is not used, top of center spar must not extend the upper-most pad

Tray to attach to the top of center spar



If Tray is not used, slide upper pads to the end of the center spar



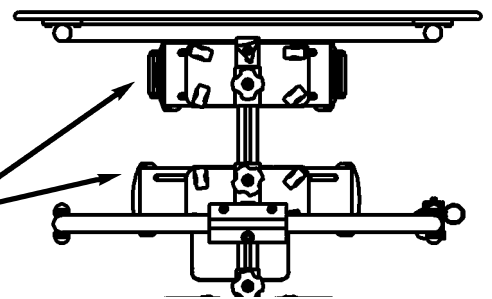
# Gecko

## Adjustments

### Lateral width adjustment

- 1.) **Hip / Sacral laterals and trunk pad laterals** are width adjustable
- 2.) Loosen knobs to change width, adjust, tighten knobs

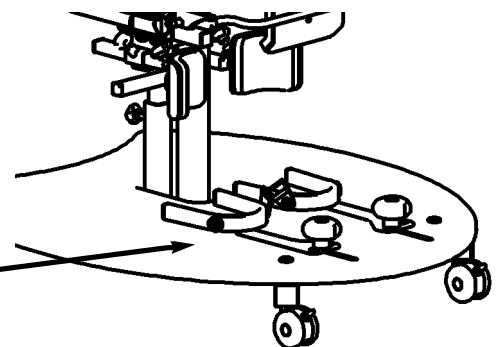
Adjustable Hip / Sacral / Trunk Supports



### Shoe Holder adjustment

- 1.) **Shoe holders** are fully adjustable
- 2.) Loosen knobs to adjust shoe holder, position, tighten knobs

Adjustable Shoe Holders

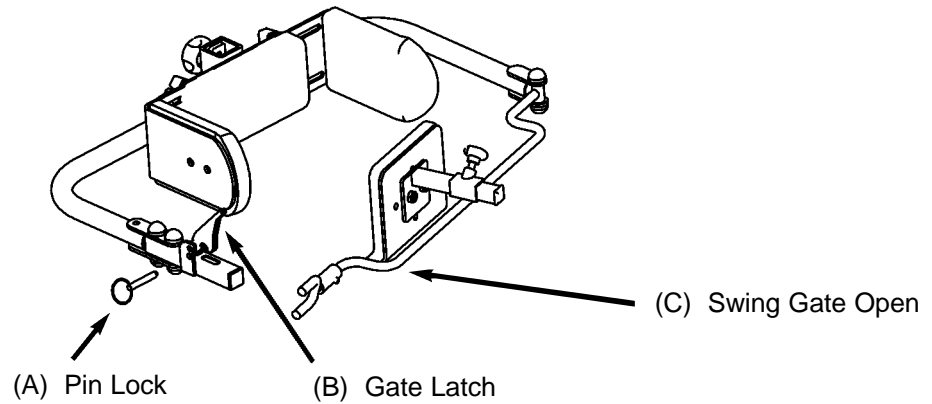


# Gecko

## Hip / Sacral Pad

### Opening the Gate:

- 1.) Pull out the **safety pin** (A)
- 2.) **Lift latch** (B),
- 3.) **Swing gate** open (C)



### Closing the Gate:

- 1.) **Swing gate** closed
- 2.) **Gate latch** will automatically clasp the **swing gate** closed
- 3.) Insert safety **pin lock**

**! SAFETY PIN MUST BE INSTALLED TO PREVENT ACCIDENTAL RELEASE OF GATE LATCH !**

