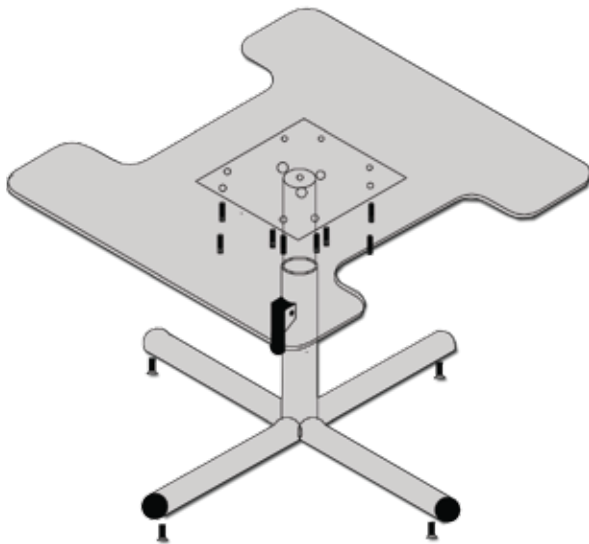




POPULAS
furniture by AD·AS

GPP-3636

Dual comfort recess, height adjustable table



Height adjustable table with dual comfort recess provides adjustability for individual positioning or multi-user environments.

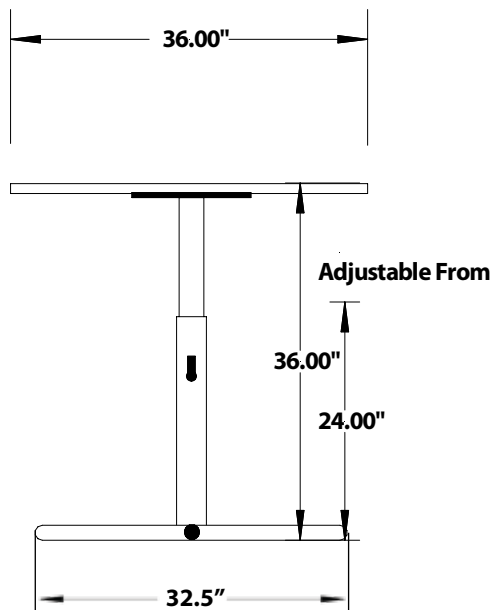
FEATURES:

- Standard tabletop construction: Durable laminate over 1" core with vinyl edge
- 2.75"-13 gauge cold rolled steel inner column
- 3.00"-13 gauge cold rolled steel outer column
- Easy to use lever style column lock
- Internal gas assist spring
- 4 adjustable base levelers
- 12"-7 gauge mounting plate

TECHNICAL DATA:

- Standard table dimensions: 36" x 36"
- Comfort recess dimensions: 18"w x 5"d
- Vertical adjustment capability: 12"
- Standard base color: Almond

| BASE SERIES | TABLE TOP SIZE | MAX LOAD | STARTING HEIGHT | ENDING HEIGHT | CAPACITY |
|------------------------------|----------------|----------|-----------------|---------------|----------|
| PEDESTAL X-BASE 30" X 30" | 36" X 36" | 100 lbs. | 24" | 36" | 500 lbs. |



Side View