

# ***TherAdapt® Products Inc.***

(800) 261-4919 phone (866) 892-2478 fax

[www.theradapt.com](http://www.theradapt.com)

## **Feeding Chair- Height Chair**

### **Please read all of the following information before using this product.**

*TherAdapt® Products Inc. has designed and manufactured this product with the well being of the user and caregiver(s) in mind. It is our endeavor to provide products which are attractive, comfortable, useful, highly adjustable, long lasting and safe. As when using any product, precautions must be taken.*



**WARNING:** This product must only be used under the recommendation of a physician and / or licensed therapist and with adult supervision. Never leave user unattended. It is your responsibility to properly use and maintain your Feeding Chair. Failure to follow USE and CARE instructions or ASSEMBLE the chair properly as outlined may result in bodily injury.

THE MANUFACTURER IS NOT RESPONSIBLE FOR INJURIES RESULTING FROM ANY CUSTOMIZATION OR MODIFICATION OF THE EQUIPMENT THAT WAS NOT COMPLETED BY THE MANUFACTURER.

**USE:** The Feeding Chair is designed for a single purpose: as a freestanding floor chair. **No other use is permitted**, including, but not limited to a seat used for transportation in an automobile, stroller, or any other mobility device.

**CARE:** Take care to inspect the ongoing condition of all parts of your Feeding Chair. Verify that all knobs, bolts, and washers are properly positioned and secure. Contact the manufacturer for replacement or repair of necessary items. All components may be cleaned with mild soap and water, or a gentle sanitizing spray. **Do not** use abrasive cleaners. Wipe components dry after cleaning. Always store indoors.

**WARRANTY:** The manufacturer provides a full one (1) year warranty, beginning the date shipped by the manufacturer. The warranty provides full replacement of all parts against breakage when used in compliance with the manufacturer's USE and CARE instructions. Use or modification beyond the normal capacity or range of adaptability designed into the products will void the warranty. The foregoing is TherAdapt's sole liability for consequential damages.

### **PLEASE COMPLETE AND RETAIN FOR YOUR RECORDS**

**Feeding Chair FC-100**

**Serial Number:** \_\_\_\_\_

**Purchase date:** \_\_\_\_\_

# ***TherAdapt* Feeding Chair (FC-100) - Height Chair Instructions**

## **Packing List:**

- (2) Wooden chair sides
- (2) Wood base supports
- (2) Black metal cross support
- (1) Slotted wooden seat with (2) black metal brackets and (6) ½” 10/32-24 Phillips head screws, a 1” wide pelvic strap complete with (1) side release buckle and (2) double slotted rings
- (1) Slotted wooden back with (2) black metal brackets and (6) ½” 10/32-24 Phillips head screws
- (1) Slotted wooden footrest with (2) black metal brackets and (6) ½” 10/32-24 Phillips head screws

- (8) ¼-20 x 1” Phillips Head bolts \*
- (8) ¼” metal washers \*
- (8) ¼” locknuts \*
- (2) 5/16-18 x 1 ½” Phillips Head bolts \*
- (2) 5/16” metal washers \*
- (2) 5/16” locknuts \*
- (12) 5/16-18 x 1” carriage bolts \*
- (12) Large black knobs with threaded inserts \*
- (12) Nylon washers \*

\* Included in hardware bag

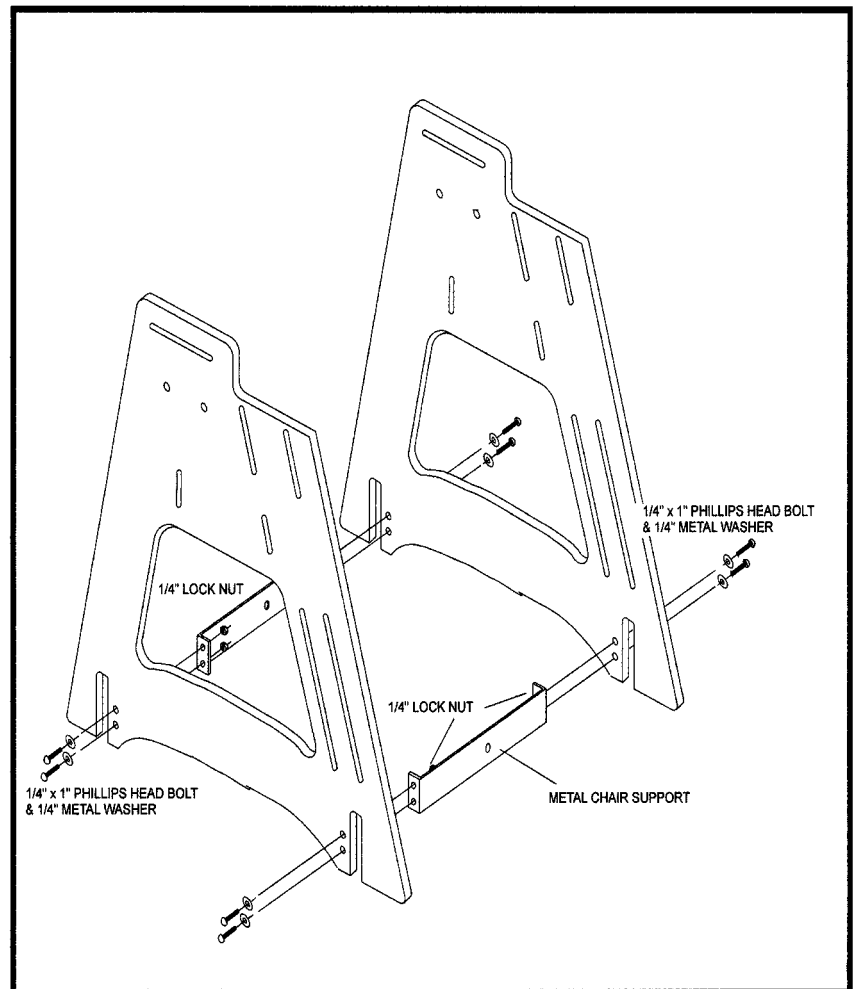
## **Tools needed:**

- (1) Phillips Head screwdriver
- (1) 7/16” wrench
- (1) 1/2” wrench

**The Height Chair must be properly assembled before use. Once fully assembled, it should be adjusted properly to the individual user to provide a customized fit.**

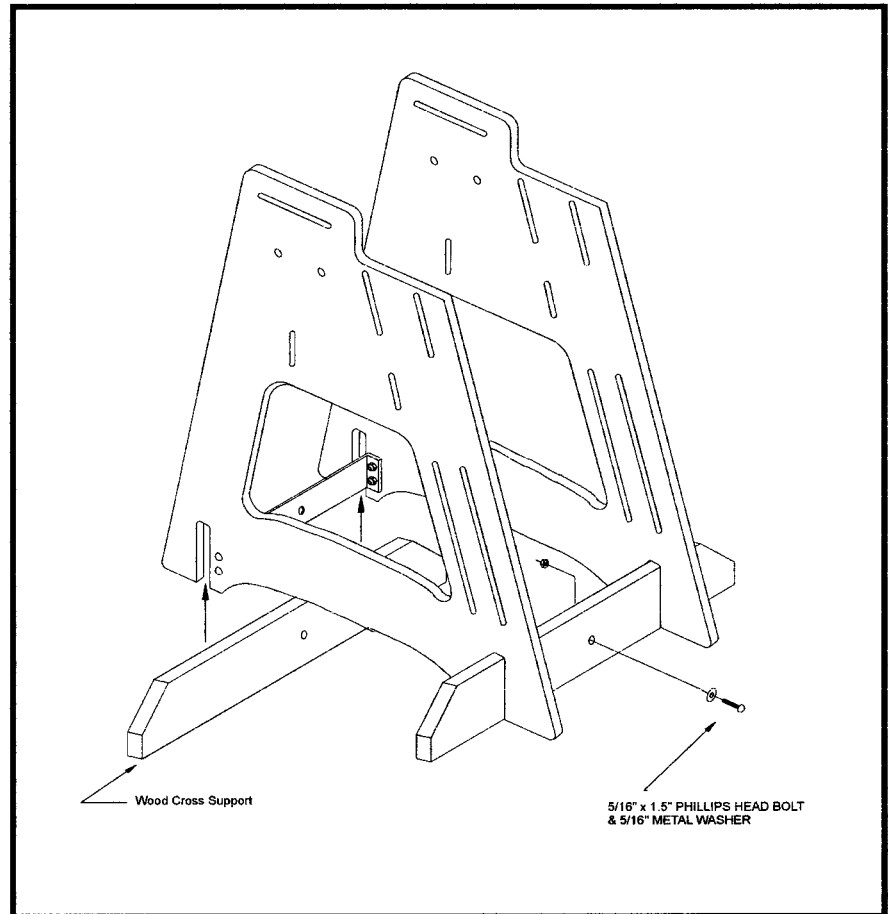
### **1. Attach the metal cross support to the chair sides.**

- A. Position the front support with the “fins” facing the rear of the chair and the rear support with the “fins” facing the front of the chair. Attach the (2) support to one side of the chair first, then the other.
- B. Slide a ¼” metal washer onto the ¼-20 x 1” Phillips Head bolts. Push the bolts through the (4) pre-drilled holes at the bottom of the chair side.
- C. Place the “fins” over the protruding bolts. Place the ¼” locknuts on the bolts and **tighten securely** with a Phillips Head screwdriver and 7/16” wrench.
- D. Repeat on the opposite side.



**2. Attach the wood base supports.**

- A. Insert the wood base supports into the grooves at the bottom of the chair. Be sure the hole in the wood base support is aligned with the hole in the metal base support.
- B. Slide a 5/16" metal washer onto the 5/16-18 x 1 1/2" Phillips Head bolts. Push the bolts through the aligned holes in the wood and metal.
- C. Place the 5/16" locknuts on the protruding bolts and **tighten securely** with a Phillips Head screwdriver and 1/2" wrench.



**3. Attach the seat support to the sides. (SEE NEXT PAGE)**

Place the seat between the two sides with the brackets facing down and the pelvic belt positioned at the back, resting on top of the seat. Insert the (4) 5/16-18 x 1" carriage bolts through the brackets, then through the short vertical slots on the side of the chair. Place a nylon washer over each bolt and secure with a large knob with threaded insert. Tighten loosely until the chair is adjusted properly.

**4. Attach the back support to the sides.**

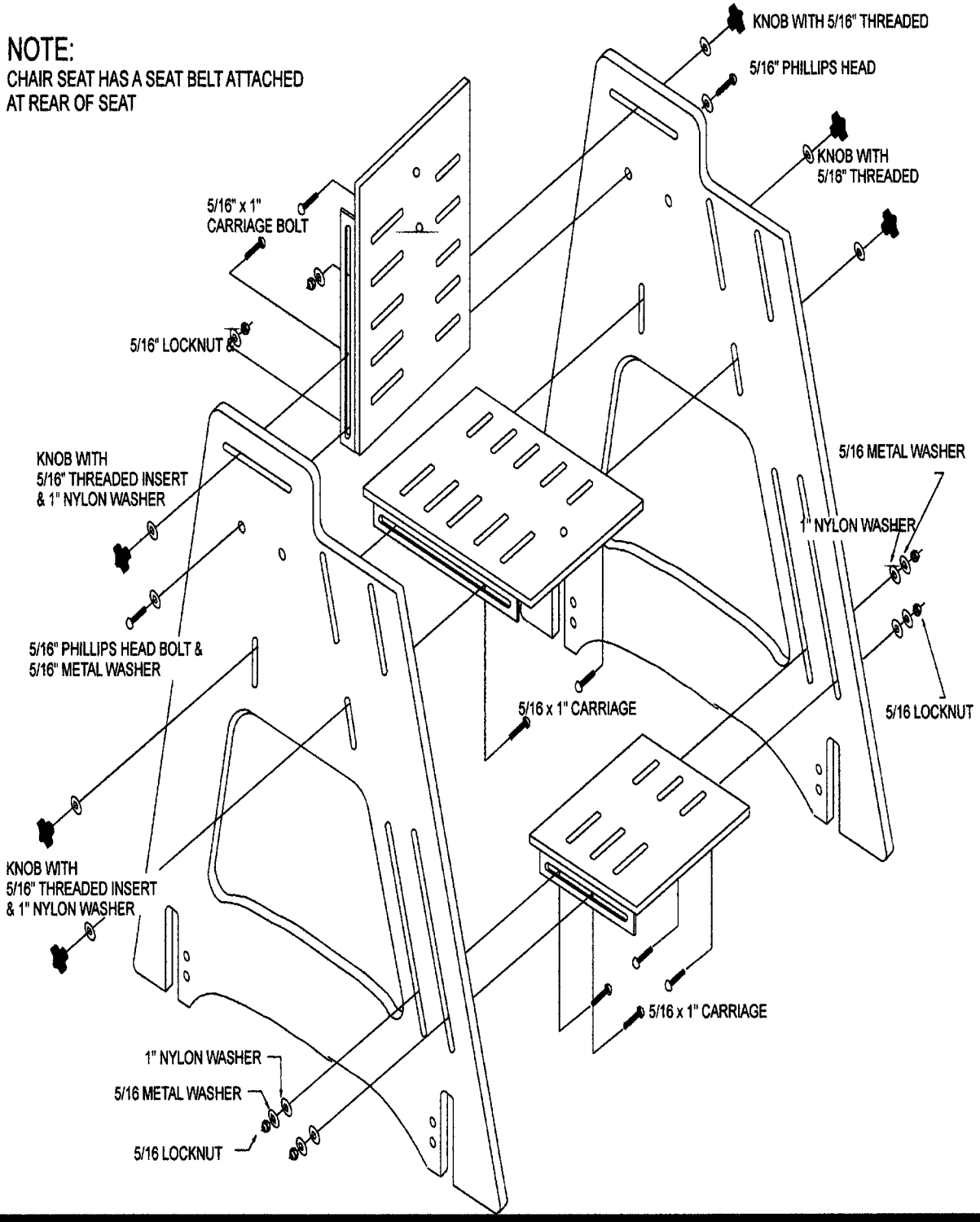
Place the backrest between the sides of the chair with the brackets positioned on the backside of the support. Insert the (4) 5/16-18 x 1" carriage bolts through the brackets, then through the top horizontal slot and bottom hole on the side of the chair. Place a nylon washer over each bolt and secure with a large knob with threaded insert. Tighten loosely until the chair is adjusted properly.

**5. Attach the footrest to the sides.**

Position the footrest between the chair sides with the brackets on the underside and the two holes towards the back. Insert the (4) 5/16-18 x 1" carriage bolts through the brackets, then through the long vertical slots on the side of the chair. Place a nylon washer over each bolt and secure with a large knob with threaded insert. Tighten loosely until the chair is adjusted properly.

**NOTE:**

CHAIR SEAT HAS A SEAT BELT ATTACHED AT REAR OF SEAT



***Once the chair is assembled it should be adjusted to fit the user properly.***

**1. Adjust the seat depth and angle.**

The seat should be 1 ½ “ – 2” behind the bend of the knee with the user sitting on the seat, bending forward to get the hips to the back of the chair.

**A.** To adjust the **seat depth**, loosen the **(4)** large knobs that secure the seat to the side. Move it forward or backward to achieve the desired depth.

**B.** To position the pelvis, the seat can be **angled** slightly by moving the front and / or rear of the seat in the short slots on the side frame.

Once the desired depth and angle are achieved, **tighten all knobs securely.**



**2. Adjust the seat depth and back angle.**

**Note:** The back support can be secured in two positions on the side of the chair. If a short seat depth is required, position the back support in the front set of holes. If a longer seat depth is needed place the bolts in the rear set of holes.

To adjust the **back angle**, move the top of the back support back from vertical until the desired angle is achieved. **Tighten the knobs securely.**

**3. Adjust the pelvic positioning belt.**

The 1” adjustable pelvic belt with side release buckle should be positioned in the notch created by the bend of the lap between the thigh and the pelvis, and tightened snugly. **Note:** The double slotted rings on each side of the pelvic strap have the loose ends of the strap threaded back through. This prevents the strap from slipping, makes the belt completely adjustable and allows the belt to snap closed at any location.

**4. Adjust the footrest height and angle.**

Loosen the **(4)** knobs on the chair sides. Raise or lower the footrest so that the end of the thigh is resting securely on the front edge of the seat. Angle the footrest to the position desired and **tighten knobs securely.**

**Attach chair Options purchased and follow instructions.**

**Note:** Placement of options may affect previous adjustments. Re-assess steps 1 – 4 for a proper fit.

**FOR PROFESSIONAL ASSISTANCE CALL 1-800-261-4919**

*TherAdapt® Feeding Chair (FC-100)- Height Chair Instructions: Page 5 of 8*

# ***TherAdapt* Feeding Chair- Height Chair Options- Instructions**

## **1. Attach the Abduction Pommel. (FC-100AB)**

### **Packing List:**

- (1) Padded pommel with metal “L” bracket
- (2) Knobs with ¼ - 20 threaded bolts

Place the pommel on the padded seat pad with the metal bracket underneath the seat. Secure with (2) knobs with bolts into the (2) pre-installed ¼ - 20 threaded T-nuts on the seat.



## **2. Attach the Armrests (FC-100AR)**

### **Packing List:**

- (2) Armrests
- (4) 5/16 – 18 x 1 ¾” carriage bolts
- (4) Nylon washers
- (4) Thru-knobs with 5/16-18 threaded inserts

**A.** Insert (2) carriage bolts through the slots on side of the chair from the **inside**. Attach the armrest to the **inside** of the chair. Place a nylon washer over the bolt and secure with knobs. Repeat for other armrest.

**B.** Adjust to desired height and depth. **Tighten all knobs securely before using.**



## **3. Adjust the butterfly harness. (FC-100BK)**

The butterfly comes attached to the chair with straps secured around the back pad. It should be adjusted such that the top of the strap is level with the shoulders. To do this: loosen (or remove) the back pad from the back of the chair by loosening (or removing) the (2) Phillips head screws on the backside of the chair. Slide the straps to the desired location on the pad and tighten (or replace) the Phillips head screws.



**Note:** The butterfly harness should be positioned on the chair so that the top of the butterfly straps is even with the shoulders and the buckle is below the collarbone. Adjust the length of the top straps to position the chest piece at the desired location on the chest (see below). Provide a “snug” fit by pulling on the lower set of straps only.

**Care should be taken not to position the harness higher than the notch felt at the top of the sternum (breast bone) as strangulation could occur.**

#### 4. Attach the Foot Sandals. (FC-100FS)

##### Packing List:

- (2) Foot sandals
- (4) Foot straps with (1) side release buckle each
- (4) ¼ -20 x 1” carriage bolts
- (4) Thru-knobs with ¼ -20 threaded inserts
- (4) Nylon washers

- A. Attach the foot straps such that the longer strap is placed in the slots toward the heel of the foot sandal and the shorter strap is toward the toe of the foot sandal. Thread the end of the strap without the buckle through the top, underneath the sandal, and back up through the other side.
- B. Attach the foot sandals to the footplate with (2) 1” carriage bolts and knobs with threaded inserts. Place a nylon washer between the footplate and the knob. **Tighten all knobs securely.**



#### 5. Attach the headrest. (FC-100HR)



##### Packing list:

- (1) “T” shaped headrest
- (1) Head pad with Velcro®
- (2) Knobs with 5/16 - 18 threaded stem bolts

Secure the pad to the headrest. Remove the (1) self-adhering strip of Velcro® from the pad. Adhere the Velcro® to the top, front of the headrest. Position the pad on the headrest and secure. Place “T” shaped headrest behind the back of the chair. Using the (2) 5/16 stem knobs and (2) nylon washers (found in a baggie shrink wrapped to the headrest), pass them through the long slot in the headrest, then through the existing T-nuts in the back of the chair and secure.

#### 6. Attach the Heel Stop (FC-100HS)

##### Packing List:

- (1) Heel Stop with (4) straps, (2) curved side release buckles, and
- (2) ¼ - 20 hanger bolts
- (2) Thru-knobs with ¼ - 20 threaded inserts
- (2) Nylon washers

Insert the hanger bolts through the paired holes at the back of the footplate. Place nylon washers on the bolts and attach knobs. **Tighten securely.**

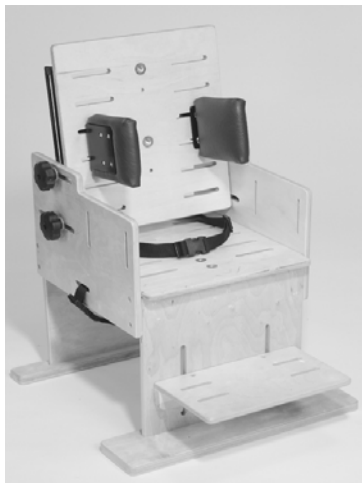


#### 7. Secure the padded seat. (FC-100PS or FC-100PSW)

##### Note: The padded back has already been attached.

The padded seat pad attaches to the seat with Velcro®. Remove the (1) self-adhering strip of Velcro® from the pad. Adhere the Velcro® to the top of the seat. Position the pad on the seat and secure the Velcro®.

## 8. Attach the Support Blocks. (FC-100SB)



### Packing List:

- (2) Support blocks with metal plates and ¼-20 bolts
- (4) Nylon washers
- (4) Thru knobs with ¼ - 20 inserts

Attach in desired set of paired slots on the back and / or seat. Place nylon washers on the bolts and secure with knobs. **Tighten securely before use.**

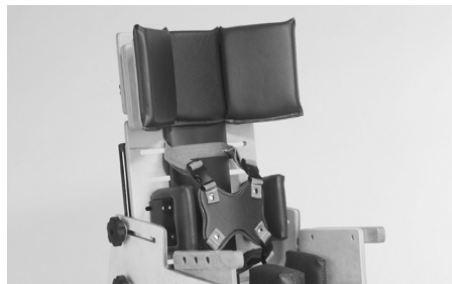
## 9. Attach the support wedges. (FC-100SW)

### Packing list:

- (2) Wedge shaped blocks
- (2) Pads with Velcro®
- (2) Knobs with ¼ - 20 threaded bolts
- (2) Nylon washers

**A.** Secure the pads to the wedges. Remove the (1) self-adhering strip of Velcro® from each pad. Adhere the Velcro® to the front of the wedges and secure the Velcro® together.

**B.** Attach the wedges to the front of the headrest. Place the knobs with bolts through the desired slot on the backside of the headrest. Secure in the pre-installed T-nuts on the support wedge. Place a washer between the knob and the wood. **Tighten securely.**



## 10. Attach the tray. (FC-100T or FC-100TC)

Pull the quick release spring lock pins. Slide the tray onto the armrests and release the spring lock pins into one of the three sets of holes on the armrest.

**FOR PROFESSIONAL ASSISTANCE CALL 1-800-261-4919**